

4

3

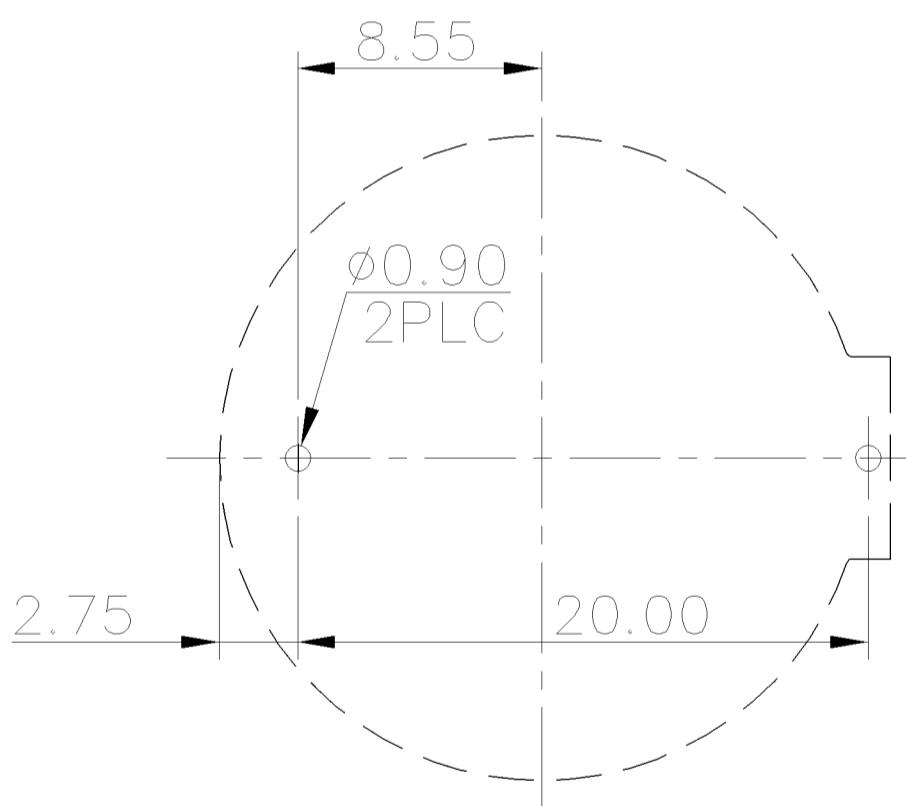
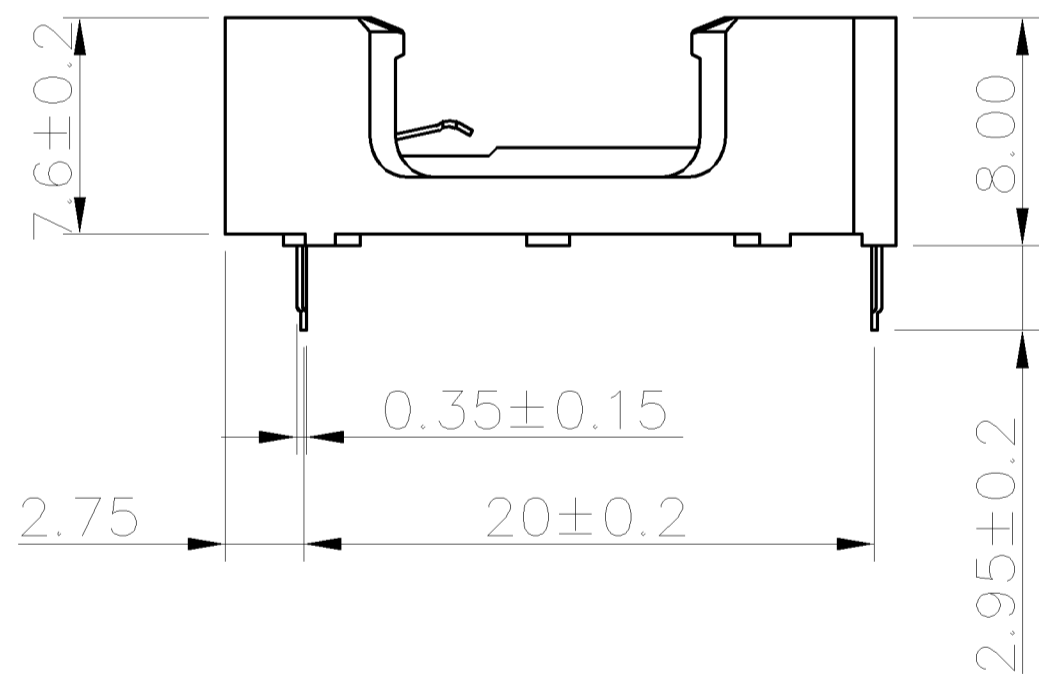
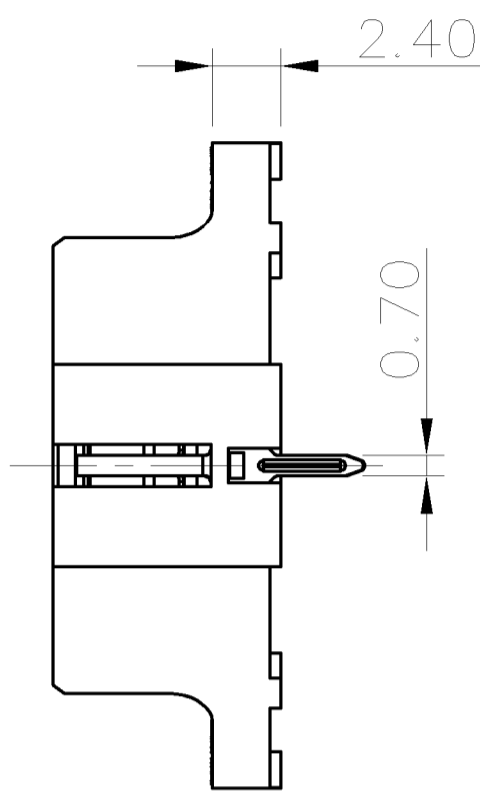
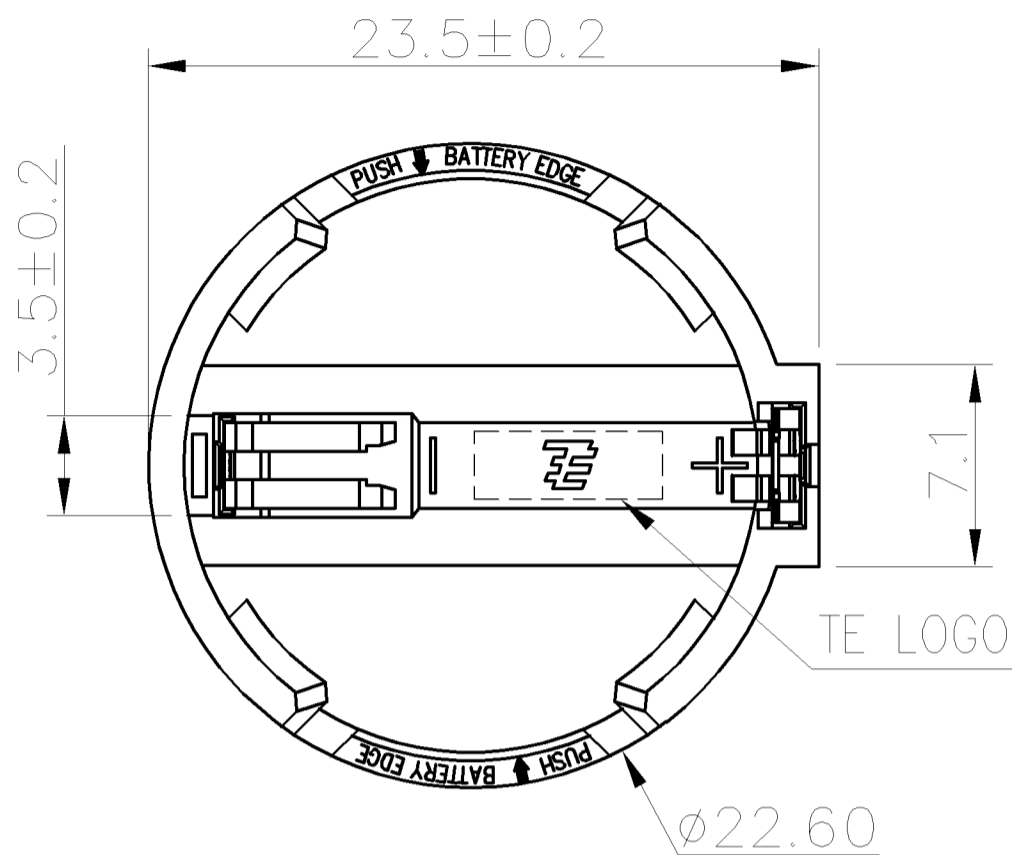
2

1

THIS DRAWING IS UNPUBLISHED. RELEASED FOR PUBLICATION AUG ,2006.

© COPYRIGHT - BY TYCO ELECTRONICS CORPORATION. ALL RIGHTS RESERVED.

LOC	DIST	REVISIONS					
DW	-	P	LTR	DESCRIPTION	DATE	DWN	APVD
			A1	REVISED (ECR-10-009554)	04MAY10	JL	WK



RECOMMENDED PCB LAYOUT
TOLERANCE : ±0.05

NOTES:

- MATERIAL:
 - HOUSING: NY66 W/O G.F., UL 94V-0, COLOR: BLACK
 - CONTACTS: PHOSPHOR BRONZE
- FINISH:
 - CONTACT: 2.54um[100u"] MIN. MATTE-TIN PLATED OVER 0.76um[30u"] MIN. NICKEL UNDERPLATED
- SPECIFICATION :
 - APPLICATION : 3V LITHIUM BATTERY (CR2032)
 - INSULATOR RESISTANCE : 5000 MEGOHMS MIN.
 - OPERATION TEMPERATURE : -55°C TO +105 °C
 - DURABILITY : 50 CYCLES
 - CONTACT RESISTANCE : 30 MILLIOHMS MAX.
- WAVE SOLDER CAPABLE TO 265°C PER TE SPEC. 109-202, CONDITION B.

1734178-1
PART NUMBER

THIS DRAWING IS A CONTROLLED DOCUMENT.		DWN S. HOU 23NOV2007	Tyco Electronics Corporation Taipei, Taiwan	
DIMENSIONS: MM		CHK W. KODAMA 23NOV2007		
TOLERANCES UNLESS OTHERWISE SPECIFIED:		APVD W. KODAMA 23NOV2007	NAME	
0 PLC ± - 1 PLC ± 0.3 2 PLC ± 0.2 3 PLC ± 0.1 4 PLC ± - ANGLES ± -		PRODUCT SPEC	BATTERY HOLDER	
MATERIAL SEE NOTE		FINISH SEE NOTE	QUALIFICATION TEST REPORT	RESTRICTED TO
		WEIGHT 1.4 GRAMS	SIZE A3	CAGE CODE 00779
		CUSTOMER DRAWING	DRAWING NO C=1734178	SCALE -
			SHEET 1 OF 2	REV A1

4

3

2

1

THIS DRAWING IS UNPUBLISHED.

RELEASED FOR PUBLICATION

AUG ,2006.

© COPYRIGHT - BY TYCO ELECTRONICS CORPORATION.

ALL RIGHTS RESERVED.

LOC
DWDIST
-

REVISIONS

P LTR

DESCRIPTION

DATE

DWN

APVD

SEE SHEET 1

COVER, EMPTY TRAY

25.7
30.0
31.2
29.4
L
W
H

L
W
H

NOTES:

1. DIMENSION:

1.1 TRAY: L=320, W=180, H=20

1.2 SHIPPING BOX: L=390, W=340, H=300

2. QUANTITY:

2.1 PRIMARY PACKING: 50 PCS/TRAY

2.2 SECONDARY PACKING: 40 TRAY/BOX(2,000PCS)

3. PACKAGING WEIGHT:

3.1 NET WEIGHT: 2.80 KG

3.2 GROSS WEIGHT: 4.86 KG

THIS DRAWING IS A CONTROLLED DOCUMENT.

DWN S. HOU 23NOV2007

CHK W. KODAMA 23NOV2007

APVD W. KODAMA 23NOV2007

PRODUCT SPEC

QUALIFICATION TEST REPORT

WEIGHT -

CUSTOMER DRAWING

Tyco Electronics Corporation

Taipei, Taiwan

DIMENSIONS:

MM

TOLERANCES UNLESS OTHERWISE SPECIFIED:

0 PLC	± -
1 PLC	± -
2 PLC	± -
3 PLC	± -
4 PLC	± -
ANGLES	± -

MATERIAL

SEE NOTE

FINISH

SEE NOTE

NAME

BATTERY HOLDER

SIZE

CAGE CODE

DRAWING NO

RESTRICTED TO

A3

00779

C=1734178

SCALE

SHEET

2 OF 2

REV

A1

AMP 1470-19 REV 31MAR2000