

6

5

4

3

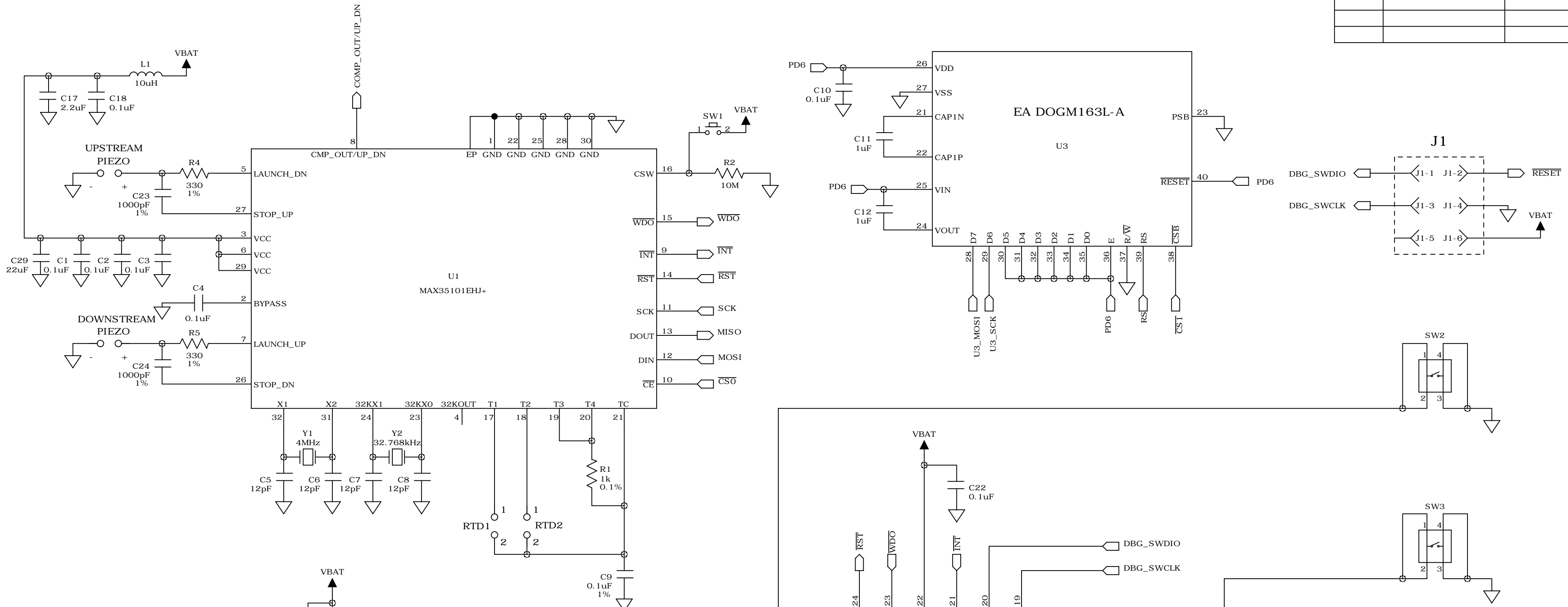
2

1

REVISION RECORD			
LTR	ECO NO:	APPROVED:	DATE:

D

D

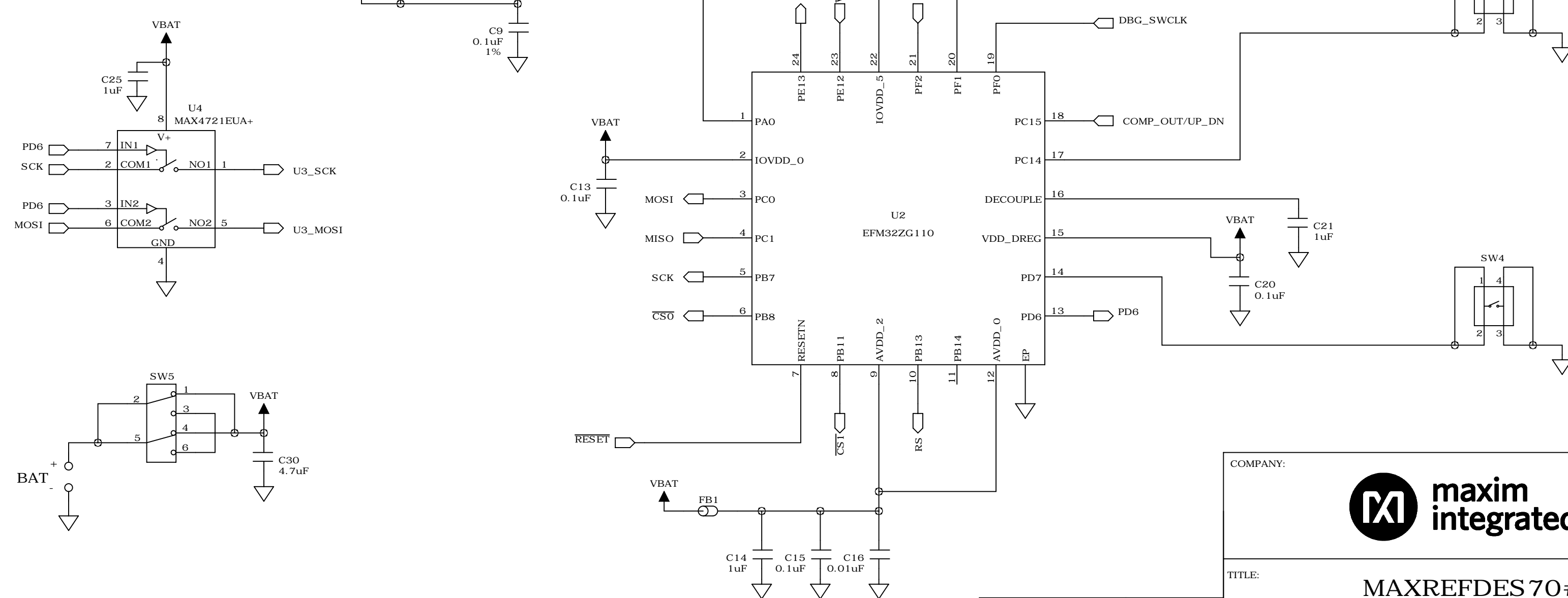


C

C

B

B



A

A

COMPANY: **maxim integrated™**

TITLE: **MAXREFDES70#
High Accuracy Flow/Heat Meter**

CODE:	SIZE: C	PCB PART NO: EPCBREFDES70	REV: A
-------	----------------	----------------------------------	---------------

SCALE: SHEET: 1 OF 1

DRAWN: MG/OL	DATED: 8/29/2014
CHECKED:	DATED:
QUALITY CONTROL:	DATED:
RELEASED:	DATED: