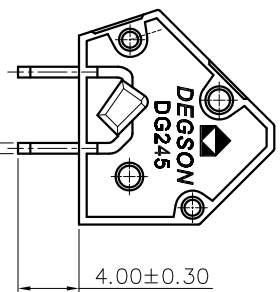
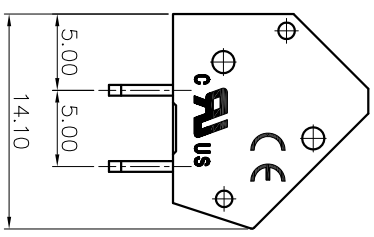
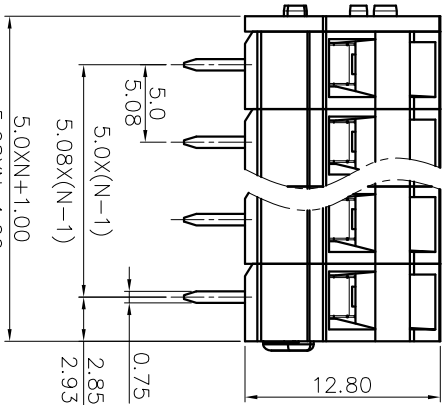
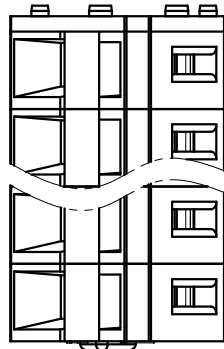


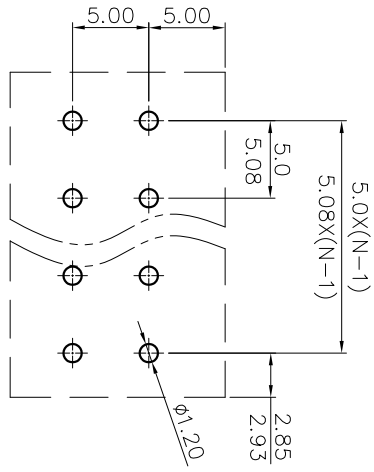
REVISION RECORD			
REV	ECN	DESCRIPTION	DRFT DATE



- NOTES1:  
UL Standard  
1. Rated voltage/current : 300V / 15A  
2. Withstanding voltage : AC1600V/1Min.  
3. Wire range : 28~12AWG  
IEC Standard  
1. Pollution degree 2 2 3  
Overvoltage category II III III  
Rate impulse voltage(kV) 4.0KV 4.0KV 4.0KV  
Rate voltage(V) 630V / 320V / 320V  
Rate current(A) 17A
2. Wire range : 0.2~2.5mm<sup>2</sup>

- NOTES2:  
1. Dimension shall be interpreted per ASME Y14.5-2009  
2. Pitch : 5.0/5.08mm, Poles : N=01~XXP  
3. Stripping length : 5~6mm  
4. Operating temperature: -40°C~+105°C  
5. Undimensioned tolerances:  
6. RoHS Compliance

Pitch range in mm	Nominal dimension range		mm
	Over	Over	
6 TO 10	10	30	0.1/10
10 TO 24	10	60	0.1
30 TO 60	30	100	0.150
60 TO 100	60	150	0.2
100 TO 150	100	200	0.25
150 TO 200	150	250	0.3
200 TO 250	200	300	0.35
250 TO 300	250	350	0.4
300 TO 350	300	400	0.45
350 TO 400	350	450	0.5
400 TO 450	400	500	0.55
450 TO 500	450	550	0.6
500 TO 550	500	600	0.65
550 TO 600	550	650	0.7
600 TO 650	600	700	0.75
650 TO 700	650	750	0.8
700 TO 750	700	800	0.85
750 TO 800	750	850	0.9
800 TO 850	800	900	0.95
850 TO 900	850	950	1.0
900 TO 950	900	1000	1.05
950 TO 1000	950	1050	1.1
1000 TO 1050	1000	1100	1.15
1050 TO 1100	1050	1150	1.2
1100 TO 1150	1100	1200	1.25
1150 TO 1200	1150	1250	1.3
1200 TO 1250	1200	1300	1.35
1250 TO 1300	1250	1350	1.4
1300 TO 1350	1300	1400	1.45
1350 TO 1400	1350	1450	1.5
1400 TO 1450	1400	1500	1.55
1450 TO 1500	1450	1550	1.6
1500 TO 1550	1500	1600	1.65
1550 TO 1600	1550	1650	1.7
1600 TO 1650	1600	1700	1.75
1650 TO 1700	1650	1750	1.8
1700 TO 1750	1700	1800	1.85
1750 TO 1800	1750	1850	1.9
1800 TO 1850	1800	1900	1.95
1850 TO 1900	1850	1950	2.0
1900 TO 1950	1900	2000	2.05
1950 TO 2000	1950	2050	2.1
2000 TO 2050	2000	2100	2.15
2050 TO 2100	2050	2150	2.2
2100 TO 2150	2100	2200	2.25
2150 TO 2200	2150	2250	2.3
2200 TO 2250	2200	2300	2.35
2250 TO 2300	2250	2350	2.4
2300 TO 2350	2300	2400	2.45
2350 TO 2400	2350	2450	2.5
2400 TO 2450	2400	2500	2.55
2450 TO 2500	2450	2550	2.6
2500 TO 2550	2500	2600	2.65
2550 TO 2600	2550	2650	2.7
2600 TO 2650	2600	2700	2.75
2650 TO 2700	2650	2750	2.8
2700 TO 2750	2700	2800	2.85
2750 TO 2800	2750	2850	2.9
2800 TO 2850	2800	2900	2.95
2850 TO 2900	2850	2950	3.0
2900 TO 2950	2900	3000	3.05
2950 TO 3000	2950	3050	3.1
3000 TO 3050	3000	3100	3.15
3050 TO 3100	3050	3150	3.2
3100 TO 3150	3100	3200	3.25
3150 TO 3200	3150	3250	3.3
3200 TO 3250	3200	3300	3.35
3250 TO 3300	3250	3350	3.4
3300 TO 3350	3300	3400	3.45
3350 TO 3400	3350	3450	3.5
3400 TO 3450	3400	3500	3.55
3450 TO 3500	3450	3550	3.6
3500 TO 3550	3500	3600	3.65
3550 TO 3600	3550	3650	3.7
3600 TO 3650	3600	3700	3.75
3650 TO 3700	3650	3750	3.8
3700 TO 3750	3700	3800	3.85
3750 TO 3800	3750	3850	3.9
3800 TO 3850	3800	3900	3.95
3850 TO 3900	3850	3950	4.0
3900 TO 3950	3900	4000	4.05
3950 TO 4000	3950	4050	4.1
4000 TO 4050	4000	4100	4.15
4050 TO 4100	4050	4150	4.2
4100 TO 4150	4100	4200	4.25
4150 TO 4200	4150	4250	4.3
4200 TO 4250	4200	4300	4.35
4250 TO 4300	4250	4350	4.4
4300 TO 4350	4300	4400	4.45
4350 TO 4400	4350	4450	4.5
4400 TO 4450	4400	4500	4.55
4450 TO 4500	4450	4550	4.6
4500 TO 4550	4500	4600	4.65
4550 TO 4600	4550	4650	4.7
4600 TO 4650	4600	4700	4.75
4650 TO 4700	4650	4750	4.8
4700 TO 4750	4700	4800	4.85
4750 TO 4800	4750	4850	4.9
4800 TO 4850	4800	4900	4.95
4850 TO 4900	4850	4950	5.0
4900 TO 4950	4900	5000	5.05
4950 TO 5000	4950	5050	5.1
5000 TO 5050	5000	5100	5.15
5050 TO 5100	5050	5150	5.2
5100 TO 5150	5100	5200	5.25
5150 TO 5200	5150	5250	5.3
5200 TO 5250	5200	5300	5.35
5250 TO 5300	5250	5350	5.4
5300 TO 5350	5300	5400	5.45
5350 TO 5400	5350	5450	5.5
5400 TO 5450	5400	5500	5.55
5450 TO 5500	5450	5550	5.6
5500 TO 5550	5500	5600	5.65
5550 TO 5600	5550	5650	5.7
5600 TO 5650	5600	5700	5.75
5650 TO 5700	5650	5750	5.8
5700 TO 5750	5700	5800	5.85
5750 TO 5800	5750	5850	5.9
5800 TO 5850	5800	5900	5.95
5850 TO 5900	5850	5950	6.0
5900 TO 5950	5900	6000	6.05
5950 TO 6000	5950	6050	6.1
6000 TO 6050	6000	6100	6.15
6050 TO 6100	6050	6150	6.2
6100 TO 6150	6100	6200	6.25
6150 TO 6200	6150	6250	6.3
6200 TO 6250	6200	6300	6.35
6250 TO 6300	6250	6350	6.4
6300 TO 6350	6300	6400	6.45
6350 TO 6400	6350	6450	6.5
6400 TO 6450	6400	6500	6.55
6450 TO 6500	6450	6550	6.6
6500 TO 6550	6500	6600	6.65
6550 TO 6600	6550	6650	6.7
6600 TO 6650	6600	6700	6.75
6650 TO 6700	6650	6750	6.8
6700 TO 6750	6700	6800	6.85
6750 TO 6800	6750	6850	6.9
6800 TO 6850	6800	6900	6.95
6850 TO 6900	6850	6950	7.0
6900 TO 6950	6900	7000	7.05
6950 TO 7000	6950	7050	7.1
7000 TO 7050	7000	7100	7.15
7050 TO 7100	7050	7150	7.2
7100 TO 7150	7100	7200	7.25
7150 TO 7200	7150	7250	7.3
7200 TO 7250	7200	7300	7.35
7250 TO 7300	7250	7350	7.4
7300 TO 7350	7300	7400	7.45
7350 TO 7400	7350	7450	7.5
7400 TO 7450	7400	7500	7.55
7450 TO 7500	7450	7550	7.6
7500 TO 7550	7500	7600	7.65
7550 TO 7600	7550	7650	7.7
7600 TO 7650	7600	7700	7.75
7650 TO 7700	7650	7750	7.8
7700 TO 7750	7700	7800	7.85
7750 TO 7800	7750	7850	7.9
7800 TO 7850	7800	7900	7.95
7850 TO 7900	7850	7950	8.0
7900 TO 7950	7900	8000	8.05
7950 TO 8000	7950	8050	8.1
8000 TO 8050	8000	8100	8.15
8050 TO 8100	8050	8150	8.2
8100 TO 8150	8100	8200	8.25
8150 TO 8200	8150	8250	8.3
8200 TO 8250	8200	8300	8.35
8250 TO 8300	8250	8350	8.4
8300 TO 8350	8300	8400	8.45
8350 TO 8400	8350	8450	8.5
8400 TO 8450	8400	8500	8.55
8450 TO 8500	8450	8550	8.6
8500 TO 8550	8500	8600	8.65
8550 TO 8600	8550	8650	8.7
8600 TO 8650	8600	8700	8.75
8650 TO 8700	8650	8750	8.8
8700 TO 8750	8700	8800	8.85
8750 TO 8800	8750	8850	8.9
8800 TO 8850	8800	8900	8.95
8850 TO 8900	8850	8950	9.0
8900 TO 8950	8900	9000	9.05
8950 TO 9000	8950	9050	9.1
9000 TO 9050	9000	9100	9.15
9050 TO 9100	9050	9150	9.2
9100 TO 9150	9100	9200	9.25
9150 TO 9200	9150	9250	9.3
9200 TO 9250	9200	9300	9.35
9250 TO 9300	9250	9350	9.4
9300 TO 9350	9300	9400	9.45
9350 TO 9400	9350	9450	9.5
9400 TO 9450	9400	9500	9.55
9450 TO 9500	9450	9550	9.6
9500 TO 9550	9500	9600	9.65
9550 TO 9600	9550	9650	9.7
9600 TO 9650	9600	9700	9.75
9650 TO 9700	9650	9750	9.8
9700 TO 9750	9700	9800	9.85
9750 TO 9800	9750	9850	9.9
9800 TO 9850	9800	9900	9.95
9850 TO 9900	9850	9950	10.0
9900 TO 9950	9900	10000	10.05
9950 TO 10000	9950	10050	10.1



DG245 - 5.0/5.08 - XXP - 1Y - 00A (H)  
(Series No.) (Pitch) (Poles) (Single Pitch) (Color) :1 (Grey)  
(RoHS)  
2. (Blue)  
3. (Black)  
4. (Green)  
5. (Orange)  
6. (Red)  
7. (Transparent)  
8. (Yellow)  
9. (White)

DETACHED LISTS			
PART NO.:	/	NAME:	DEGSON <sup>®</sup> NINGBO DEGSON ELECTRICAL CO., LTD 宁波高松电子有限公司
APPD:	/	CHKD:	/
DRFT:	/	TITLE:	CUSTOMER DRAWING
THIRD ANGLE PROJECTION		DRAWING NO.:	/
		DO NOT SCALE DRAWING	SCALE
			1:1

A 8 7 6 5 4 3 2 1