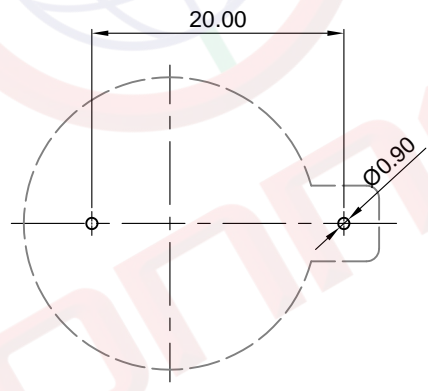
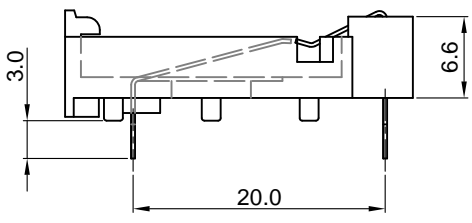
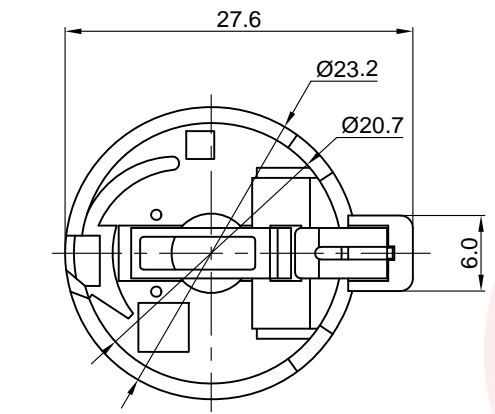


Dept	Qty
DC	1
ED	1
IE	1
ISO	1
PD	1
R&D	1
SD	1
QA	1
QC	1
QE	1

The information provided herein is from CONNELY Electronic Co., Ltd. and is confidential. Any disclosure to a party other than the recipient is prohibited. The intellectual properties and its rights contained herein, including but not limited to, trademarks, patents, copyrights, trade secrets, and technical know-how, are owned exclusively by CONNELY or its affiliates. Unauthorized use or reproduction of any part of this drawing, in any form or by any means, without the prior written permission of CONNELY, is strictly prohibited. CONNELY may enforce its intellectual property rights at its own discretion, failures or delays to exercise such rights does not constitute a waiver of such rights. Its use in any format or manner. CONNELY may enforce its intellectual property rights at its own discretion, failures or delays to exercise such rights does not constitute a waiver of such rights.

REV.	DESCRIPTION	DRAWN	CHECKED	APPROVED
A	NEW RELEASE	YCH 08/07/12'		LJC 08/07/12'
D	DRAWING UPDATE	JLZ 03/02/21'		



Recommend PCB Layout  
Tolerance=±0.05



(Series Image-Reference Only)

NOTE:

- Materials:
  - 1.1 Base: Thermoplastic,UL94 V-0,Color of black.  
Temp.Range: -25°C to +85°C.
  - 1.2 Positive & Negative Contacts: Copper Alloy.
- Specification:
  - 2.1 Dielectric Withstanding Voltage: AC 500V AC.
  - 2.2 Insulation Resistance: 1000MΩ min.
  - 2.3 Contact Resistance: 100mΩ Max.
- Part Number Code:  
DS1092-05 - X X X

- Housing material:  
P: PBT
- Contact plating:  
6: Tin
- Housing color:  
B: Black

GENERAL TOLERANCE		ANGLE TOLERANCE		PROJECTION		TITLE	2032 Lithium Coin Cell	
X.	±0.60	X.	±5°	UNITS	mm		Battery Holders Horizontal insert type	
.X	±0.38	.X	±3°	SHEET SIZE	A4	SERIES	DS1092-05 SERIES	
.XX	±0.25	.XX	±2°					
DRAWING TYPE		CUSTOMER		晨翔电子有限公司 CONNFLY ELECTRONIC CO. LTD				
SCALE		1:1						
DRAWING NO.		C-DS1092-05-XXX-D						
		SHEET	1 OF 1					