

## Coin Cell Holders

KLS5-CR2430-02 DIP 90°, CR2430 Coin Battery Holder

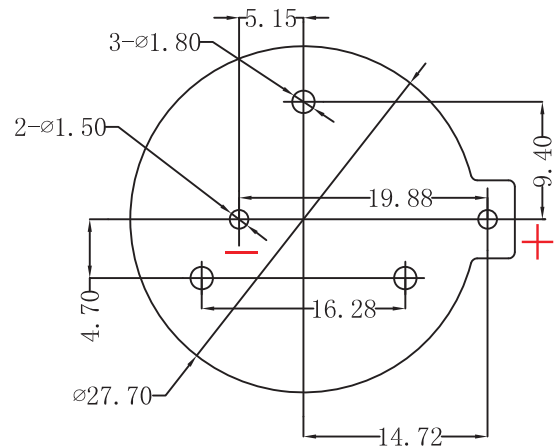
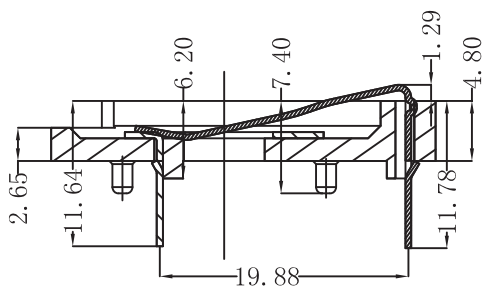
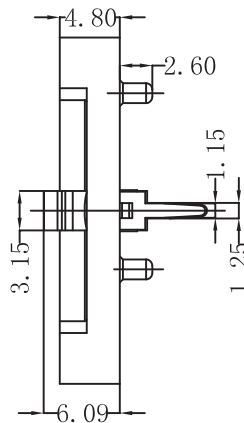
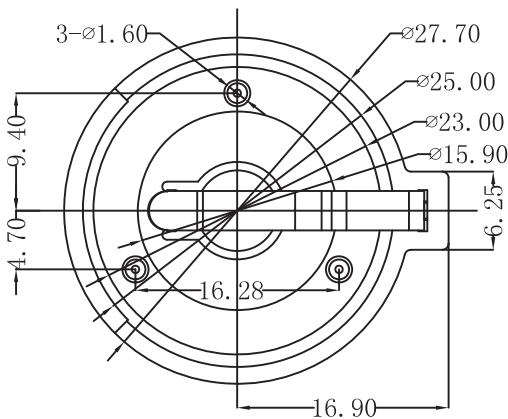
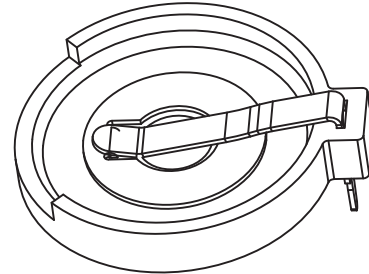
### Material:

Housing: PBT  
Contacts: Steel; Nickel plated

### Electrical Characteristics:

Insulator Resistance: 1000M Ohm min.  
Contact Resistance: 30m Ohm max.  
Dielectric voltage: 500V AC  
Operating Temperature: -25°C~+85°C

I



PCB Layout Diagram  
Top View

## ORDER INFORMATION

Product NO.: KLS5-CR2430-02

