

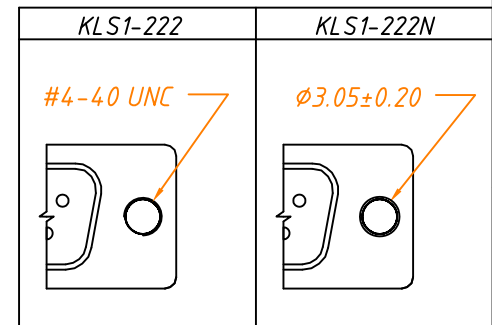
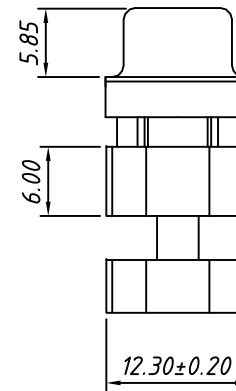
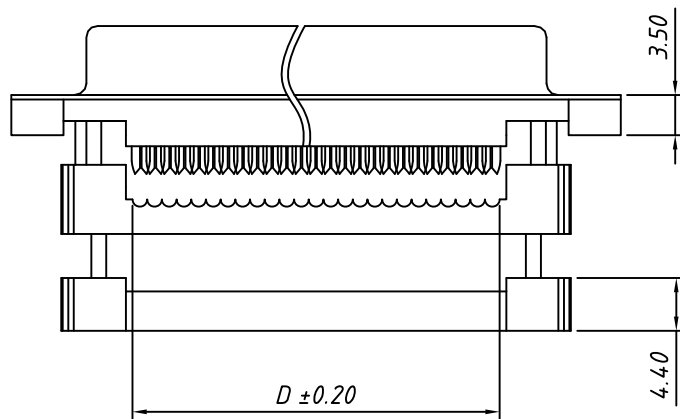
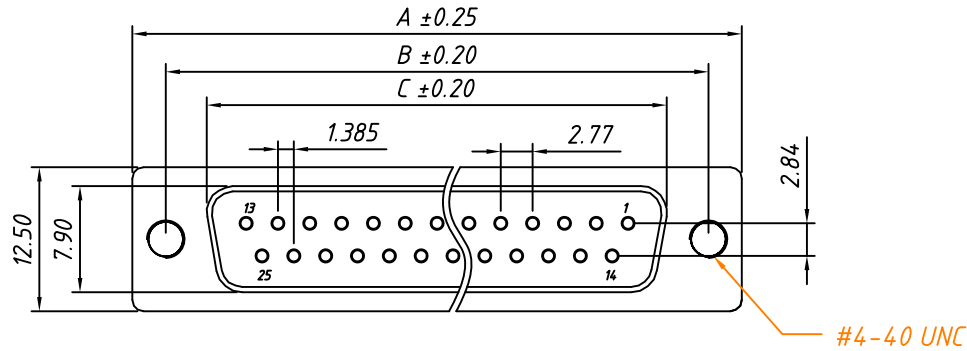
1 RoHS Compliant

Material:  
 Housing: PBT+30% Glass filled ,UL 94V-0  
 Contacts: Brass ,Gold Plating  
 Shell: Steel, Nickel Plating


Electrical Characteristics:  
 Current Rating: 1 AMP  
 Insulator Resistance: 1000MΩ Min. at DC 500V  
 Withstanding Voltage: 500V AC (rms) for 1 minute  
 Contact Resistance: 20mΩ Max. Initial  
 Operating Temperature: -55°C ~ +105°C

Order Information

L - KLS1 - 222 - XX - F - L  
 RoHS \_\_\_\_\_  
 D-SUB Connector, \_\_\_\_\_  
 IDC Type, Type: 222 , 222N \_\_\_\_\_  
 XX-No.of 09,15,25,37pins \_\_\_\_\_  
 Connector type: M-Male F-Female \_\_\_\_\_  
 Housing Color: B-Black L-Blue \_\_\_\_\_



Number of Contacts	DIMENSION			
	A±0.25	B±0.20	C±0.20	D±0.20
09	30.90	24.99	16.30	11.80
15	39.20	33.20	24.60	19.50
25	53.10	47.04	38.30	32.15
37	69.40	63.50	54.80	48.76

GENERAL TOLERANCE	PROJECTION	Symbol	Description:
X. ±0.30	UNITS	mm	D-SUB Connector, IDC Type, Female
.X ±0.25	SCALE	1:1	
.XX ±0.20	Draw by:	Daniel	KLS P/N: L-KLS1-222-XX-F-L
ANGLE TOLERANCE	Check by:	Daniel	 NingBo KLS ELECTRONIC CO.,L TD.
X. ±3°	Date	2018-03-01	
.X ±2°	SHEET	1 OF 1	
.XX ±1°			

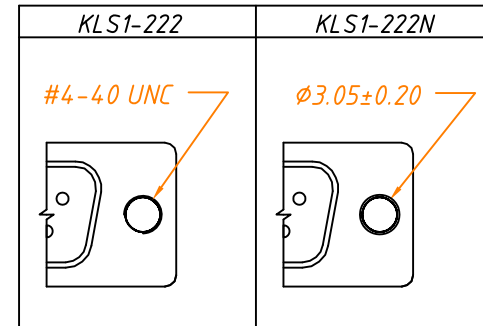
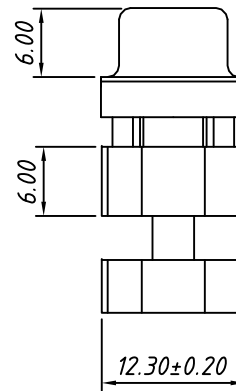
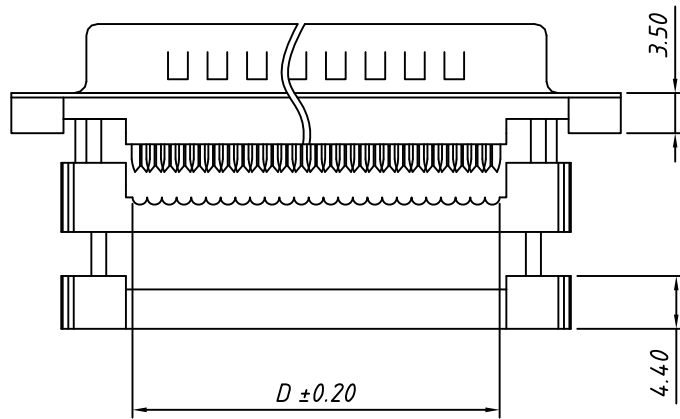
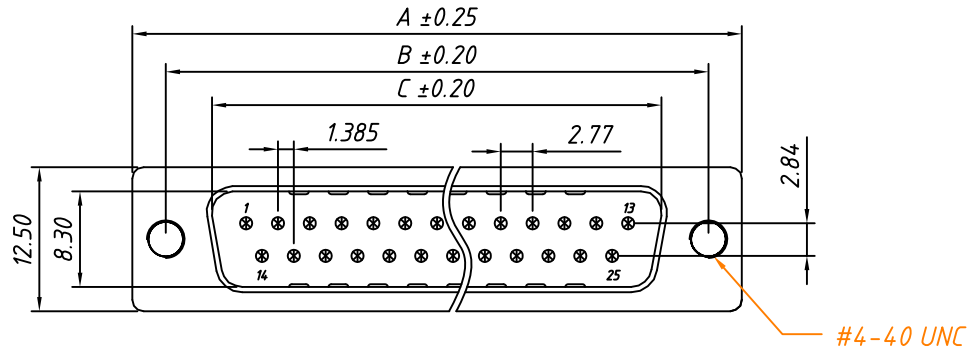
1 RoHS Compliant

Material:  
 Housing: PBT+30% Glass filled ,UL 94V-0  
 Contacts: Brass ,Gold Plating  
 Shell: Steel, Nickel Plating

Electrical Characteristics:  
 Current Rating: 1 AMP  
 Insulator Resistance: 1000MΩ Min. at DC 500V  
 Withstanding Voltage: 500V AC (rms) for 1 minute  
 Contact Resistance: 20mΩ Max. Initial  
 Operating Temperature: -55°C ~ +105°C

Order Information

L - KLS1 - 222 - XX - M - L  
 RoHS \_\_\_\_\_  
 D-SUB Connector, \_\_\_\_\_  
 IDC Type, Type: 222 , 222N \_\_\_\_\_  
 XX-No. of 09,15,25,37pins \_\_\_\_\_  
 Connector type: M-Male F-Female \_\_\_\_\_  
 Housing Color: B-Black L-Blue \_\_\_\_\_



Number of Contacts	DIMENSION			
	A±0.25	B±0.20	C±0.20	D±0.20
09	30.90	24.99	16.90	11.80
15	39.20	33.20	25.25	19.50
25	53.10	47.04	38.96	32.15
37	69.40	63.50	55.42	48.76

GENERAL TOLERANCE	PROJECTION		Description:
X. ±0.30	UNITS	mm	D-SUB Connector, IDC Type, Male
.X ±0.25	SCALE	1:1	
.XX ±0.20	Draw by:	Daniel	KLS P/N: L-KLS1-222-XX-M-L
ANGLE TOLERANCE	Check by:	Daniel	NingBo KLS ELECTRONIC CO.,L TD.
X. ±3°	Date	2018-03-01	
.X ±2°	SHEET	1 OF 1	
.XX ±1°			